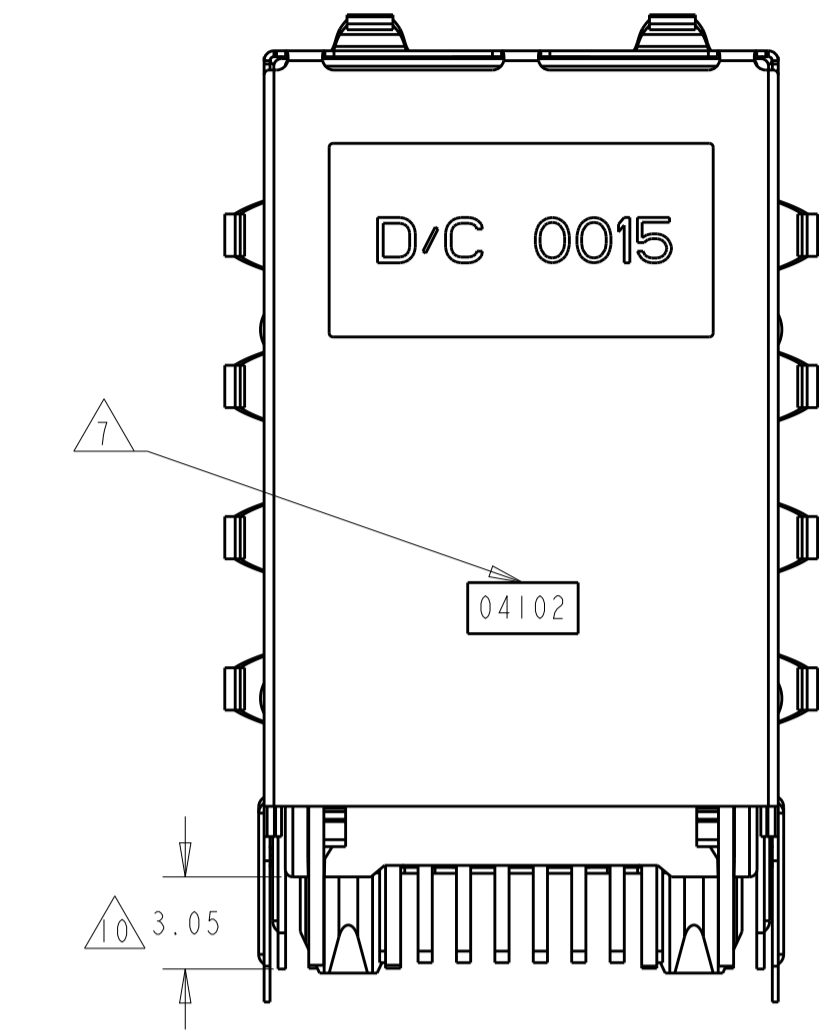
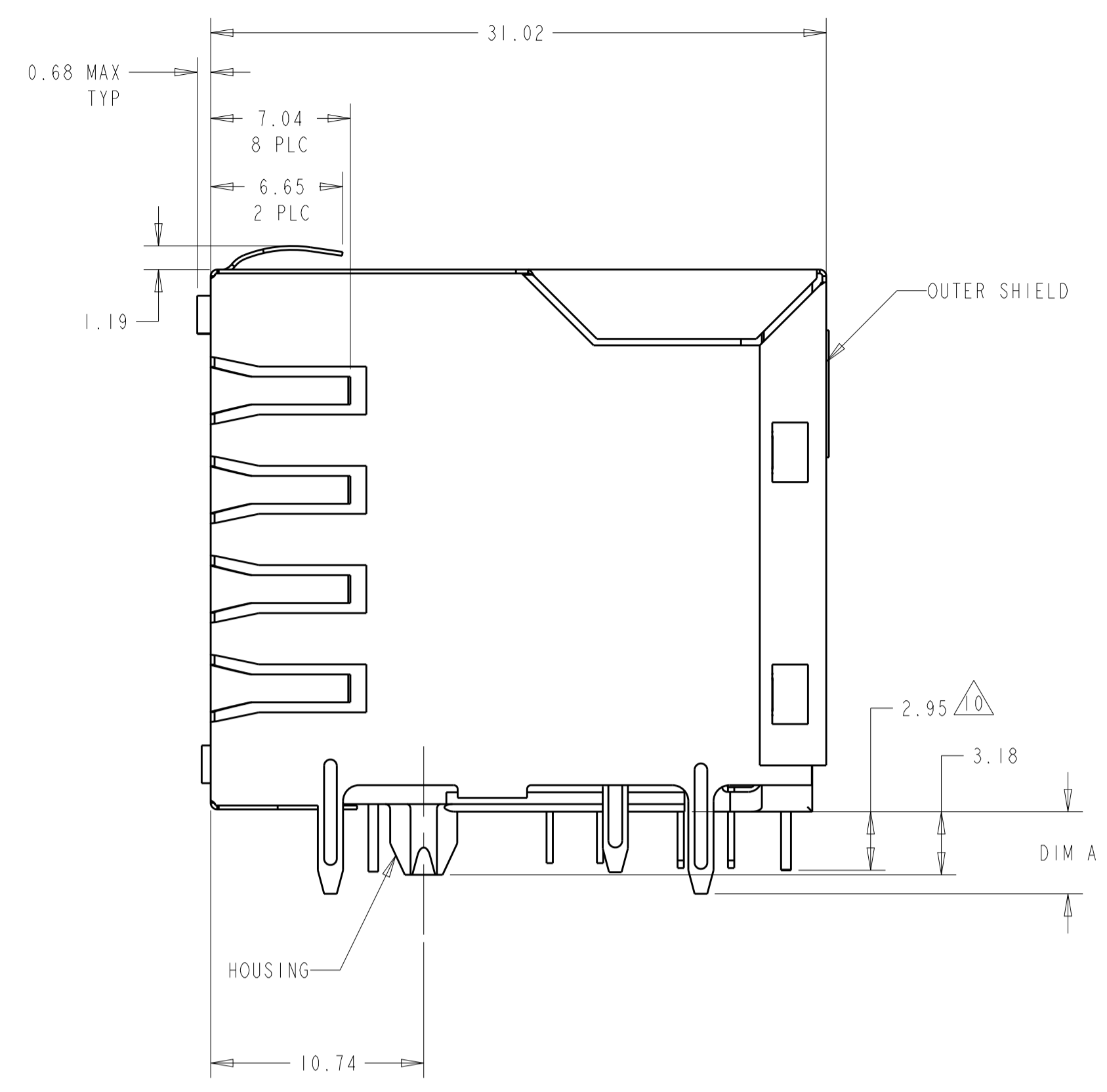
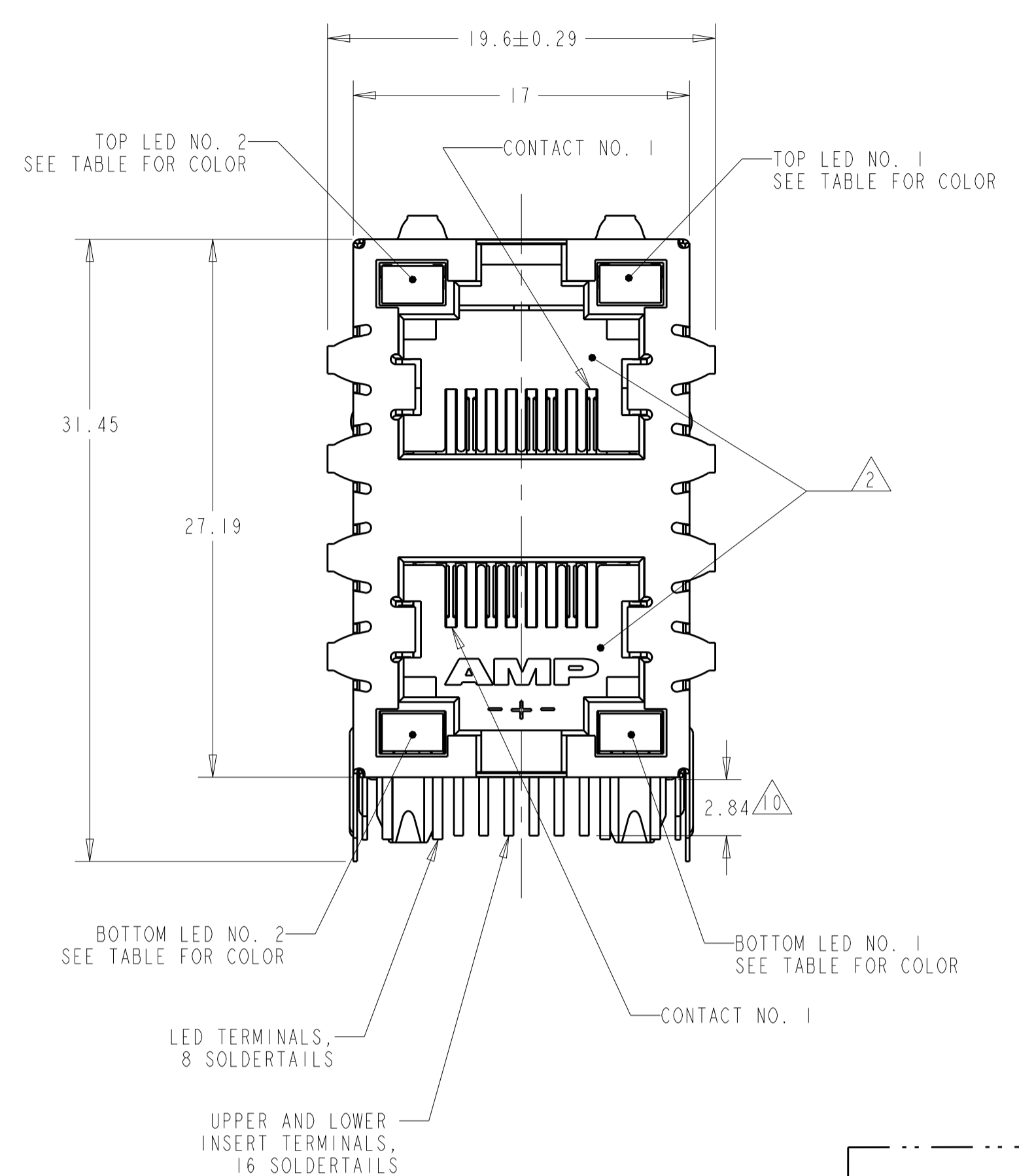
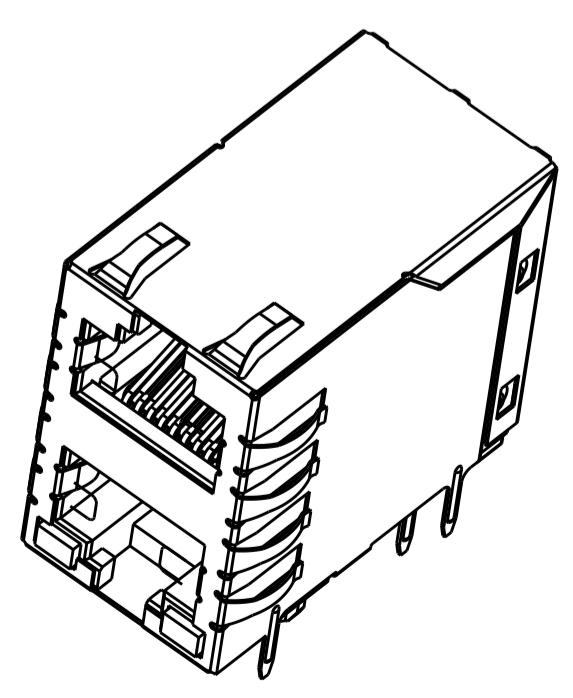
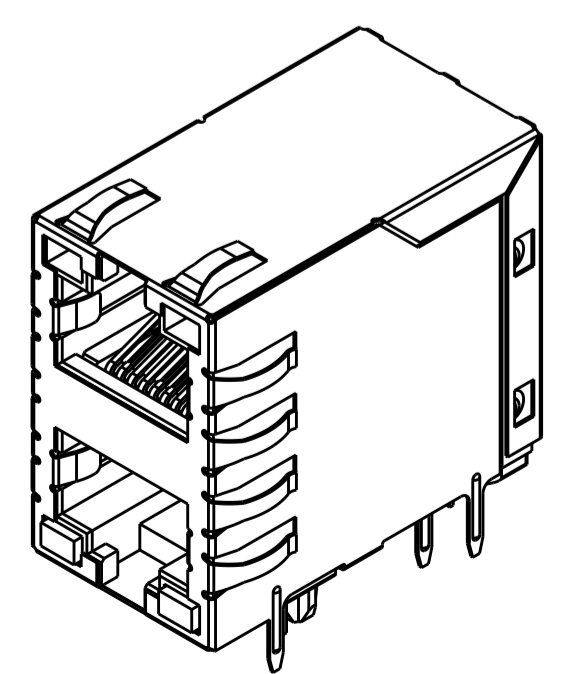
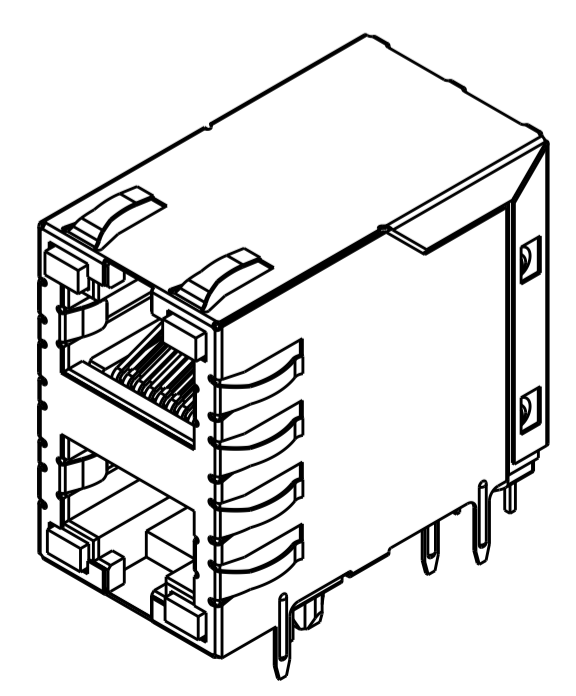
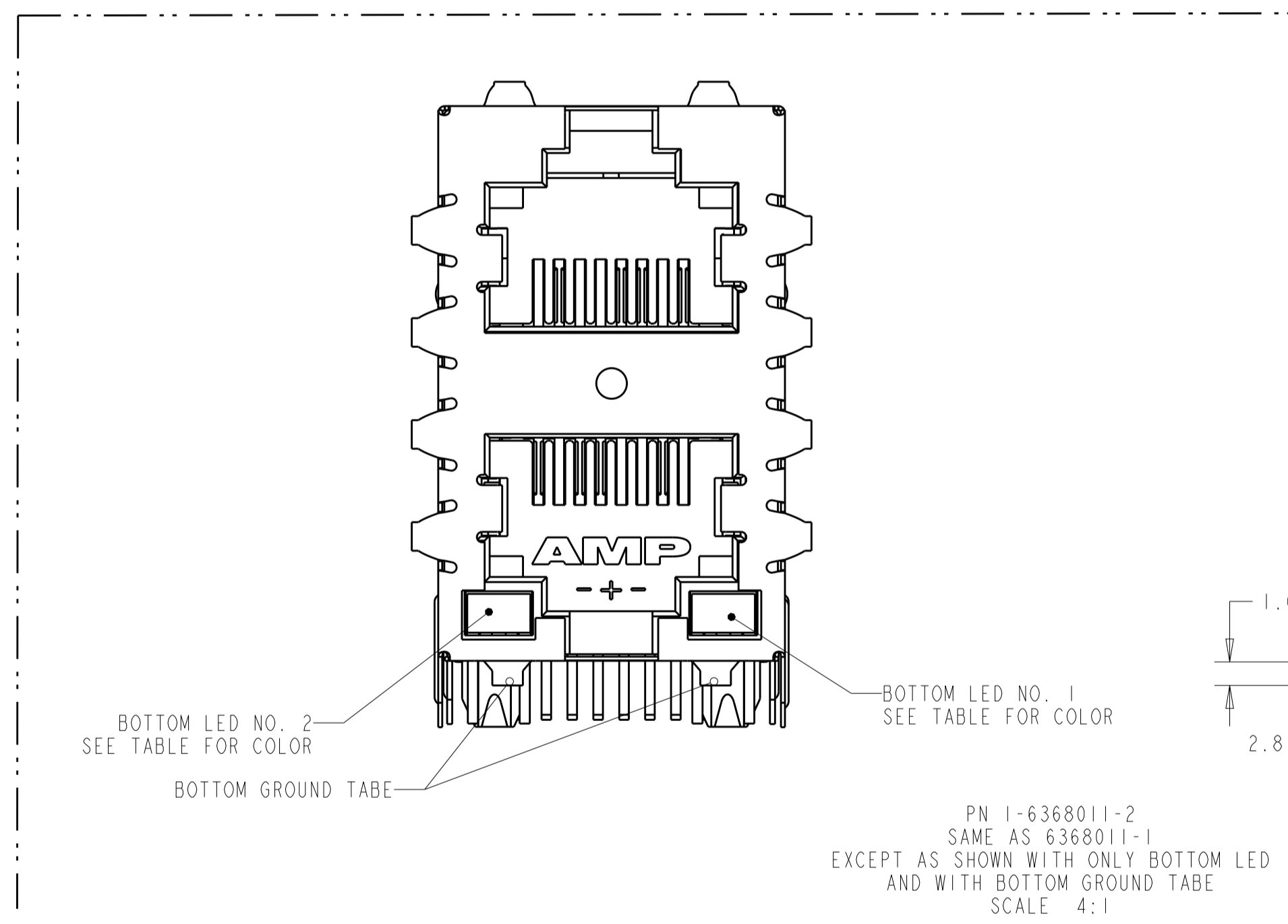
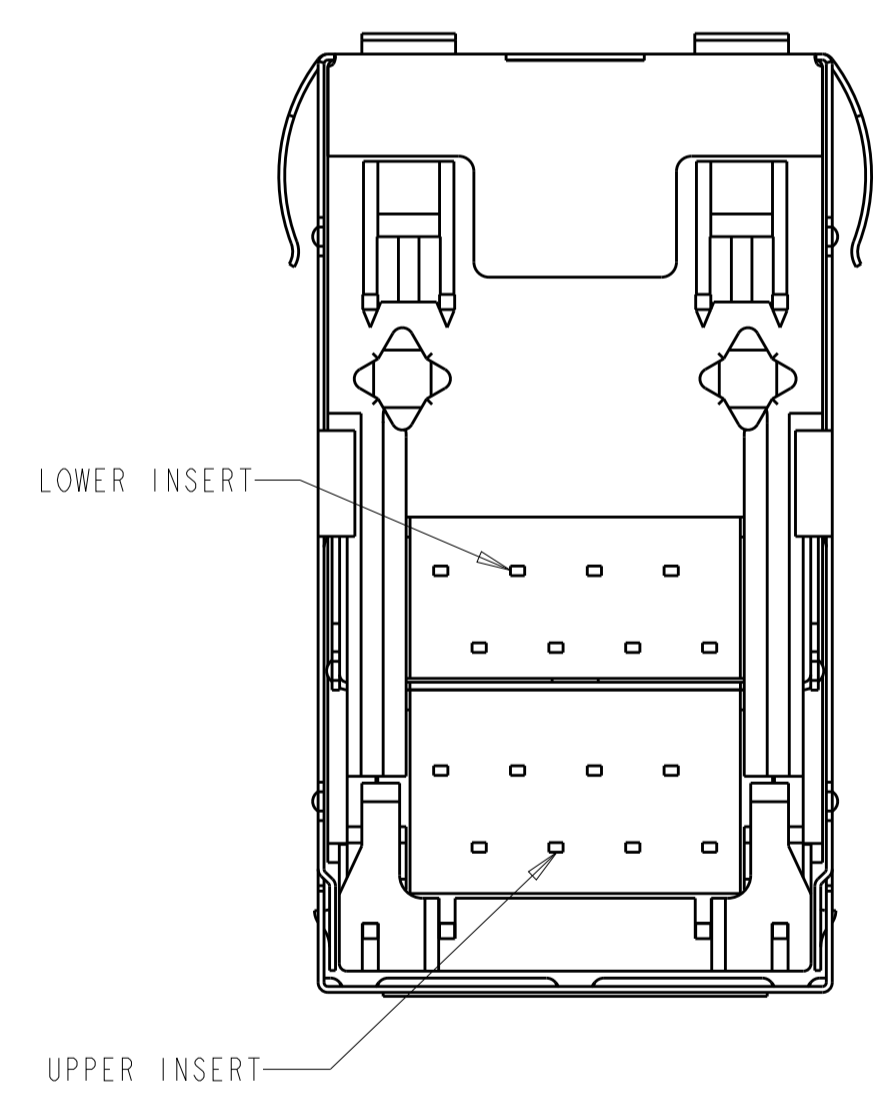


REVISIONS					
P	LTN	DESCRIPTION	DATE	OWN	APVD
K		REV PER ECO-14-016319	23OCT2014	LL	SH
L		REV PER ECO-15-010136	10JUL2015	LL	SH



- MATERIAL: HOUSING - PBT POLYESTER, BLACK, UL 94V-0.  
 TERMINALS - 0.33 THICK PHOSPHOR BRONZE PLATED WITH 1.27um MINIMUM THICK HARD GOLD IN LOCALIZED MATING INTERFACE AND 3.81um MINIMUM THICK MATTE TIN IN SOLDER AREA OVER 1.27um MINIMUM THICK NICKEL UNDERPLATE.  
 SHIELD - 0.196 THICK COPPER ALLOY PLATED WITH 1.27 um [1.000050] MINIMUM NICKEL AND 2.03 um [1.000080] MINIMUM HOT TIN DIP ON PCB GROUND TABS..  
 LIGHT EMITTING DIODE (LED) - DIFUSED EPOXY LENS, 0.51 X 0.51 CARBON STEEL WIREFRAME LEADS PREPLATED WITH 8.89 um THICK Sn/Cu OVER 2.03 um THICK Ag OVER 1.02 THICK Cu OVER 3.56 um THICK Ni OVER 1.02 um Cu UNDERPLATE
- JACK CAVITY CONFORMS TO FCC RULES AND REGULATIONS, PART 68 SUBPART F.
- SUGGESTED OPERATING CURRENT FOR THE LED IS 20mA. GREEN/ORANGE BI-COLOR LEDS ON 6368011-4 AND 1-6368011-0 WILL EMIT GREEN LIGHT ON FORWARD BIAS CURRENT AND ORANGE LIGHT ON REVERSE BIAS CURRENT. GREEN/RED BI-COLOR LEDS ON 6368011-9 AND 1-6368011-0 WILL EMIT GREEN LIGHT ON FORWARD BIAS CURRENT AND RED LIGHT ON REVERSE BIAS CURRENT. GREEN/YEL BI-COLOR LEDS ON 1-6368011-1 WILL EMIT GREEN LIGHT ON FORWARD BIAS CURRENT AND YELLOW LIGHT ON REVERSE BIAS CURRENT.
- THIS MODULAR JACK WITH INTEGRATED LED IS NOT IR REFLOW SOLDERING PROCESS COMPATIBLE.
- USE NO. 30 DRILL BIT OR 3.25mm DRILL BIT WHEN PRODUCING THESE PCB HOLES.
- HM-15 LUBE APPLIED TO THE GOLD PLATED AREA OF THE TERMINALS ON 6368011-8 ONLY.
- DATE CODE LOCATED ON REAR OF PART APPROX AS SHOWN: FIRST 2 DIGITS ARE LAST 2 DIGITS OF YEAR, SECOND 2 DIGITS ARE MANUFACTURING WORK WEEK, LAST DIGIT IS DAY OF WEEK, WITH SUNDAY=1.
- THE PART NUMBER IS PRELIMINARY.
- OBSOLETE PARTS: OBSOLETE CIS STREAMLINING PER D.RENAUD/D.SINISI
- GROUND PIN AND ALL SIGNAL PINS' LENGTH SHOULD BE 4.06 MM EXCEPT OUTER SHIELD THIS REQUEST IS ONLY FOR PART 1-6368011-4



4.14	GREEN/ORANGE	GREEN/ORANGE	N/A	N/A	2-6368011-1
3.44 MAX	GREEN	GREEN	GREEN	GREEN	1-6368011-5
4.14	GREEN	YELLOW	GREEN	YELLOW	1-6368011-4
4.14	GREEN	YELLOW	N/A	N/A	1-6368011-3/8
3.175	GREEN	ORANGE	N/A	N/A	1-6368011-2
4.14	GREEN/YELLOW	GREEN/YELLOW	GREEN/YELLOW	GREEN/YELLOW	1-6368011-1
4.14	GREEN/ORANGE	GREEN/ORANGE	GREEN/RED	GREEN/RED	1-6368011-0
4.14	GREEN/RED	GREEN/RED	GREEN/RED	GREEN/RED	6368011-9
4.14	YELLOW	GREEN	YELLOW	GREEN	6368011-8/6
4.14	GREEN	ORANGE	N/A	N/A	6368011-7
	GREEN	GREEN	YELLOW	GREEN	6368011-6
4.14	YELLOW	GREEN	YELLOW	GREEN	6368011-5
4.14	GREEN/ORANGE	GREEN/ORANGE	GREEN/ORANGE	GREEN/ORANGE	6368011-4
4.14	GREEN	YELLOW	GREEN	YELLOW	6368011-3
	YELLOW	GREEN	GREEN	YELLOW	6368011-2
4.14	GREEN	GREEN	GREEN	GREEN	6368011-1

DIM A BOTTOM LED NO. 2 BOTTOM LED NO. 1 TOP LED NO. 2 TOP LED NO. 1 PART NUMBER  
 9 OBSOLETE  
 9 OBSOLETE

THIS DRAWING IS A CONTROLLED DOCUMENT. DIMENSIONS: mm. TOLERANCES UNLESS OTHERWISE SPECIFIED: 0 PLC ±, 1 PLC ±, 2 PLC ±0.25, 3 PLC ±0.25, 4 PLC ±. ANGLES ±.

DRAWN: Vik Slack/14 MAY 05  
 CHK: J. WESTMAN 13 APR 2005  
 APVD: S. FLICKINGER 13 APR 2005

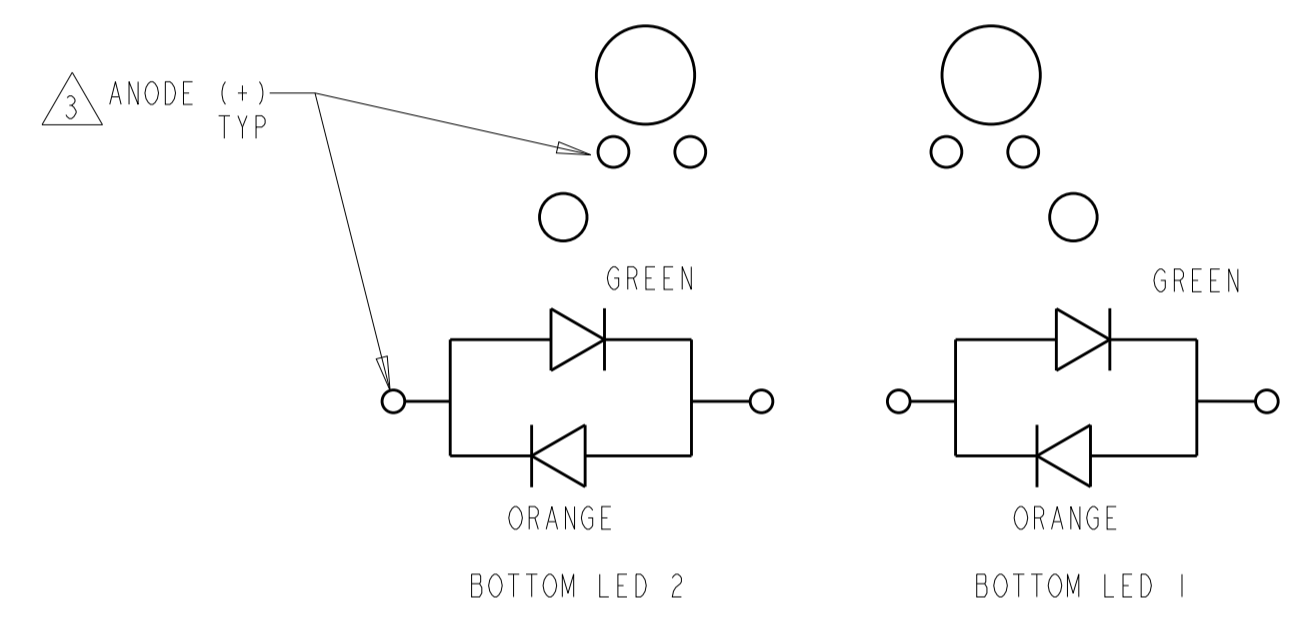
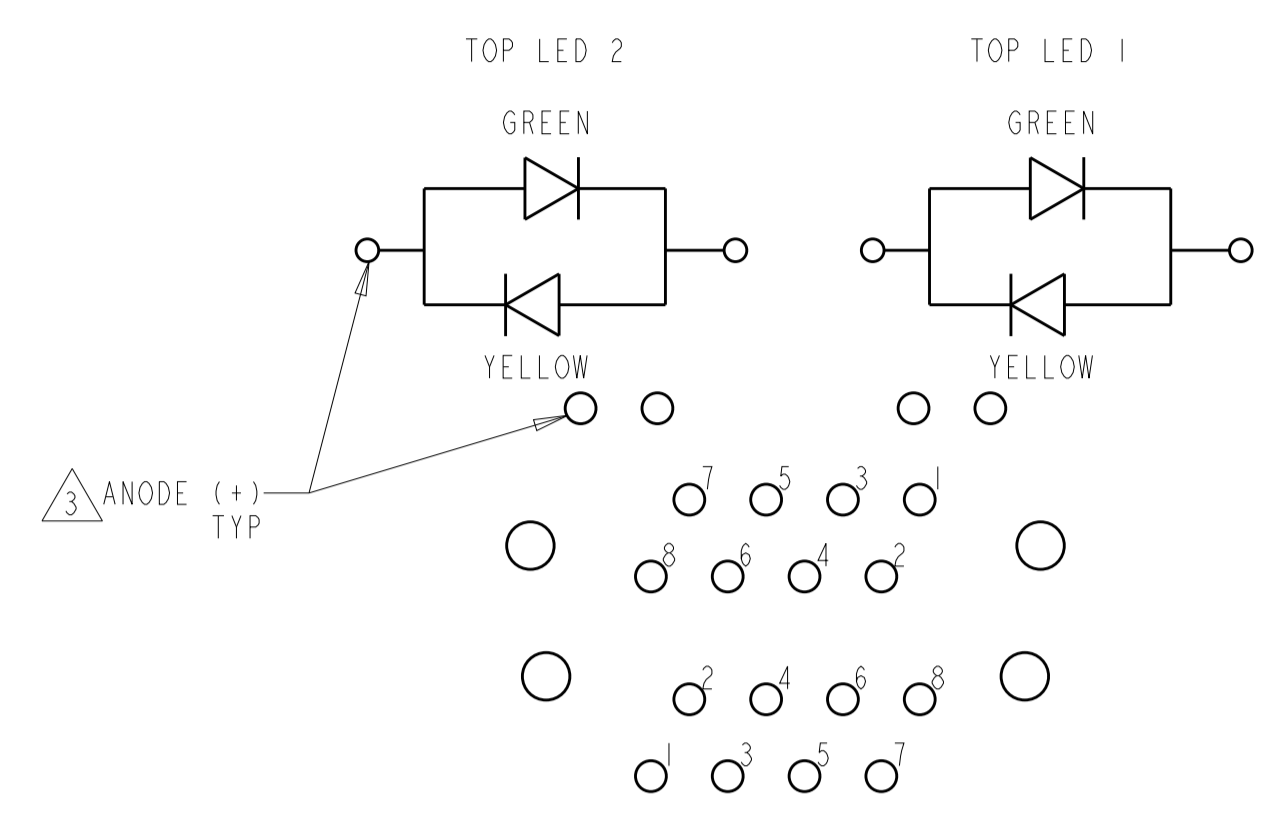
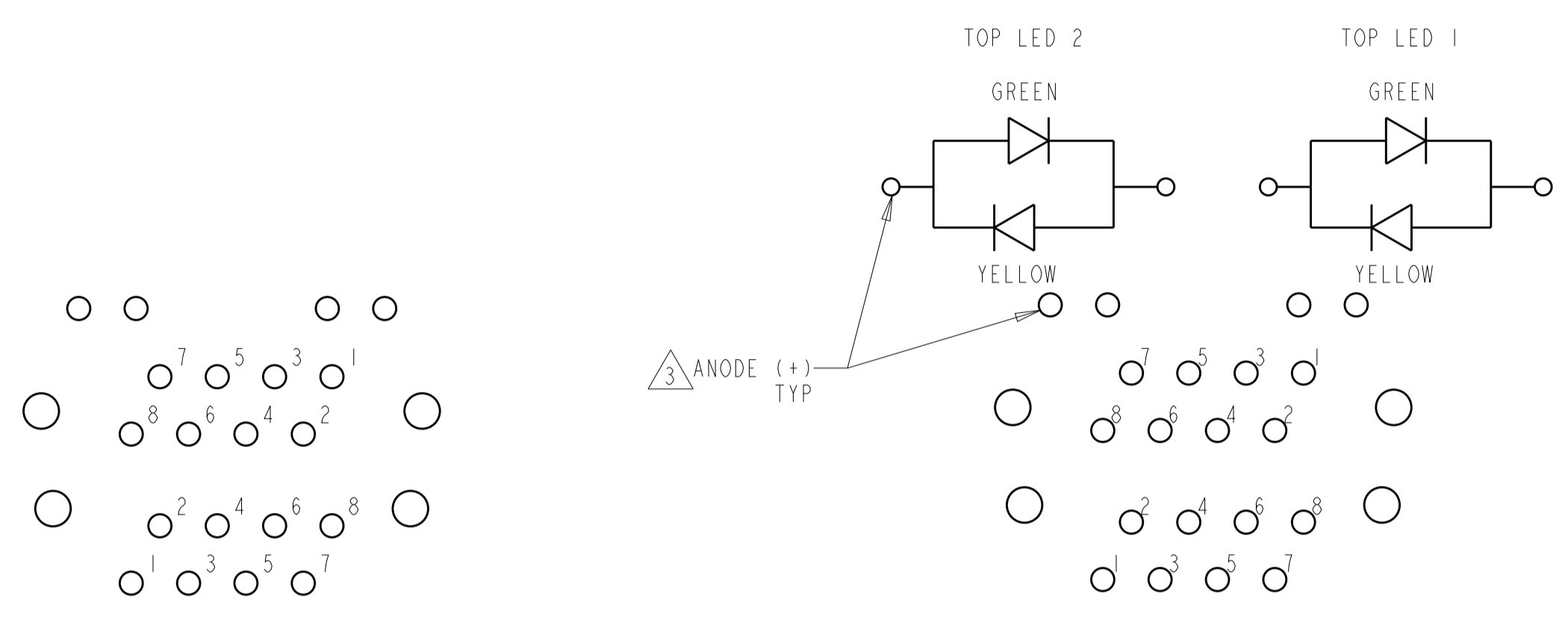
NAME: MODULAR JACK ASSEMBLY, STACKED, 2 X 1, 8 POSITION, SHIELDED, PANEL GROUND, LED, CATEGORY 5  
 PRODUCT SPEC: 108-1163-2  
 APPLICATION SPEC: 114-2154

MATERIAL: SEE NOTE 1. FINISH: SEE NOTE 1. WEIGHT: -

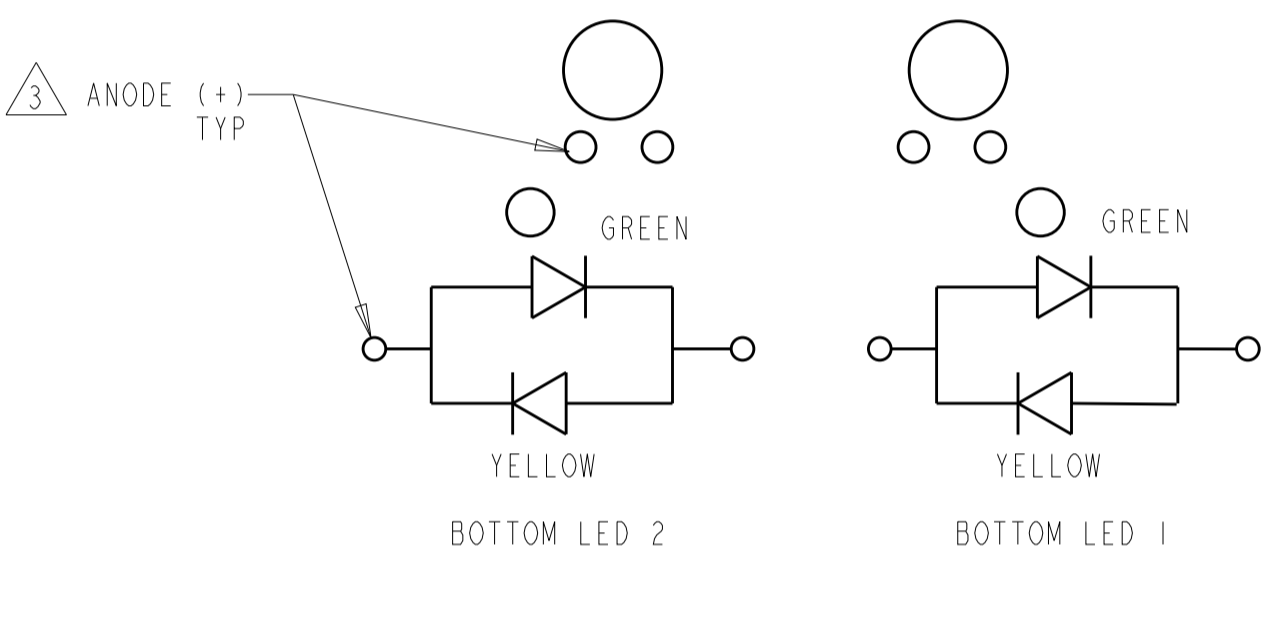
Customer Drawing

SIZE: A1. CAGE CODE: 00779. DRAWING NO: 6368011. SHEET 1 OF 3. REV L

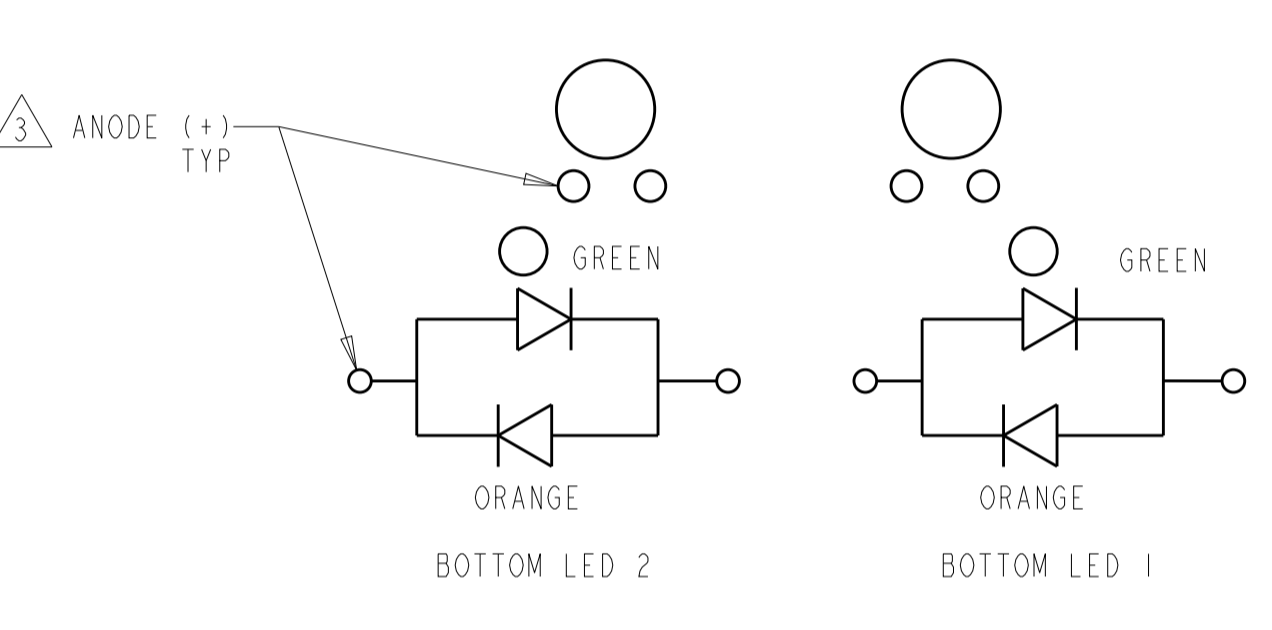
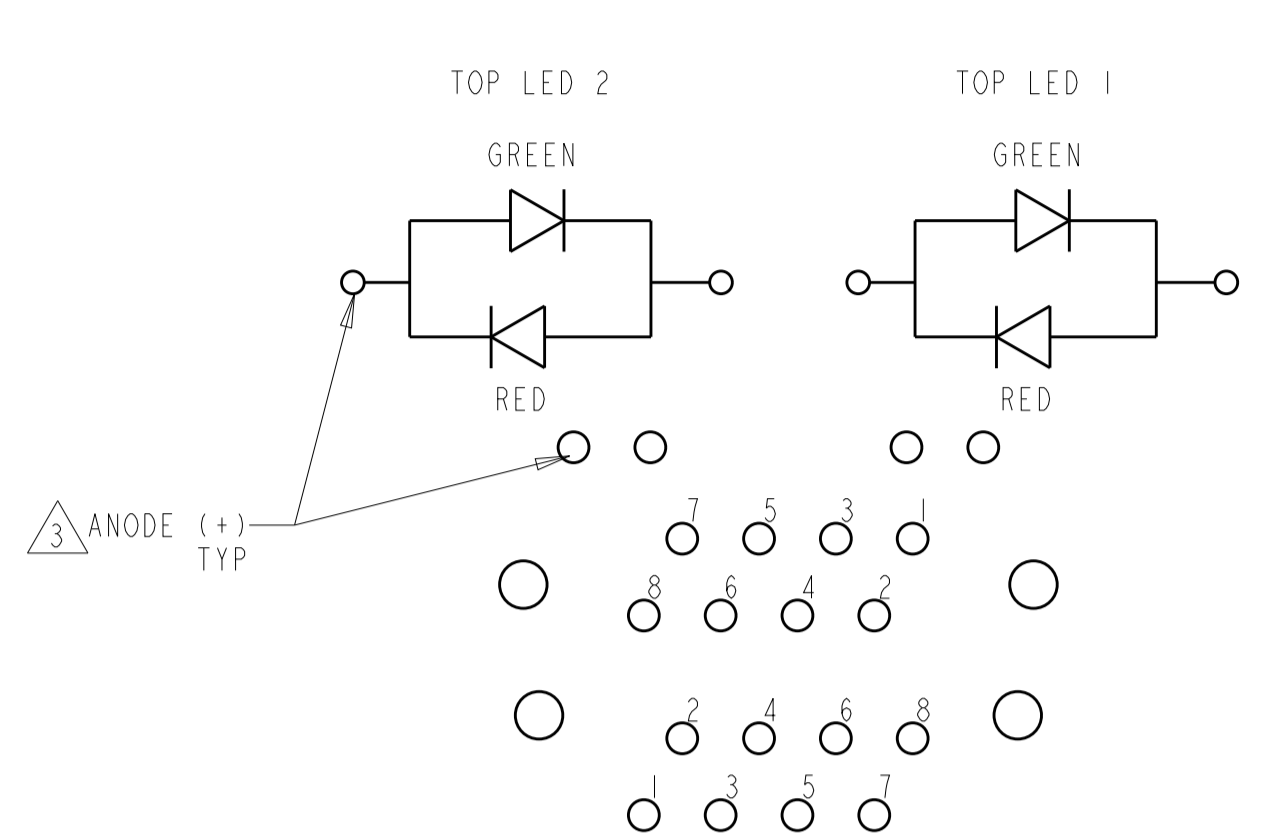
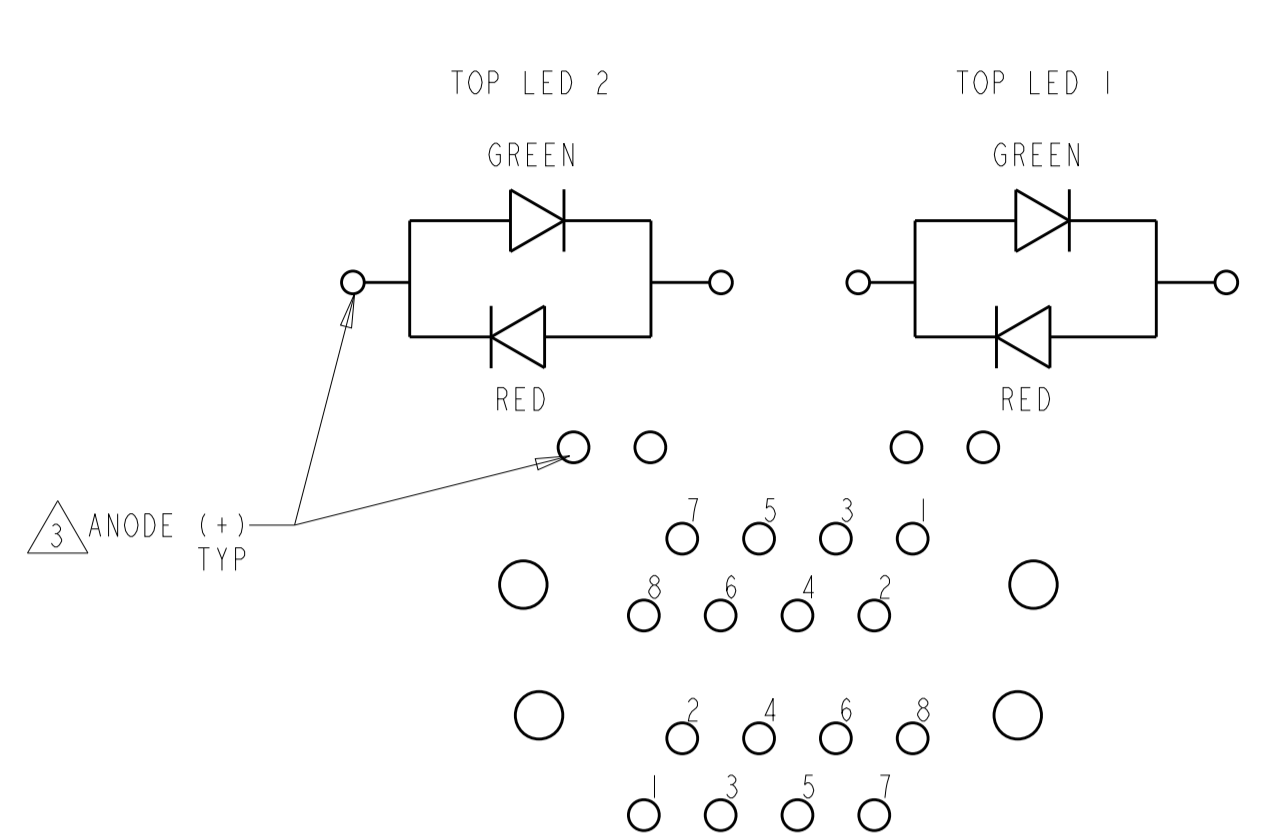
REVISIONS				
P.	LTN.	DESCRIPTION	DATE	APVD.
-	-	SEE SHEET 1	-	-



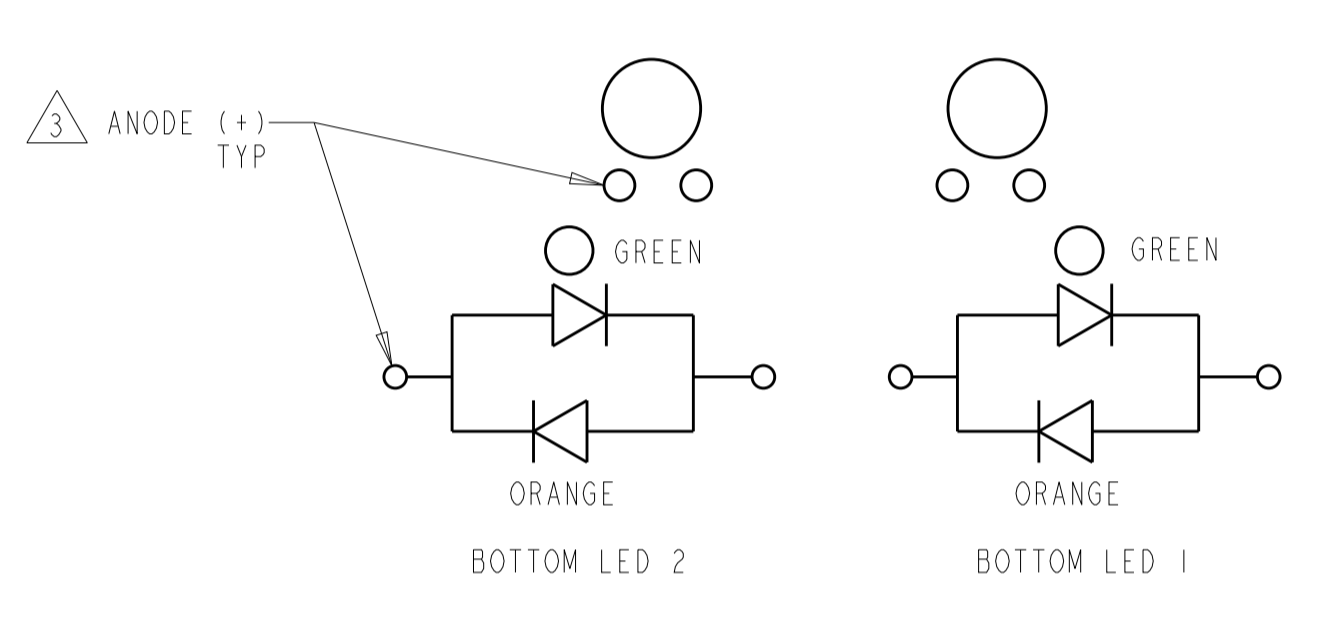
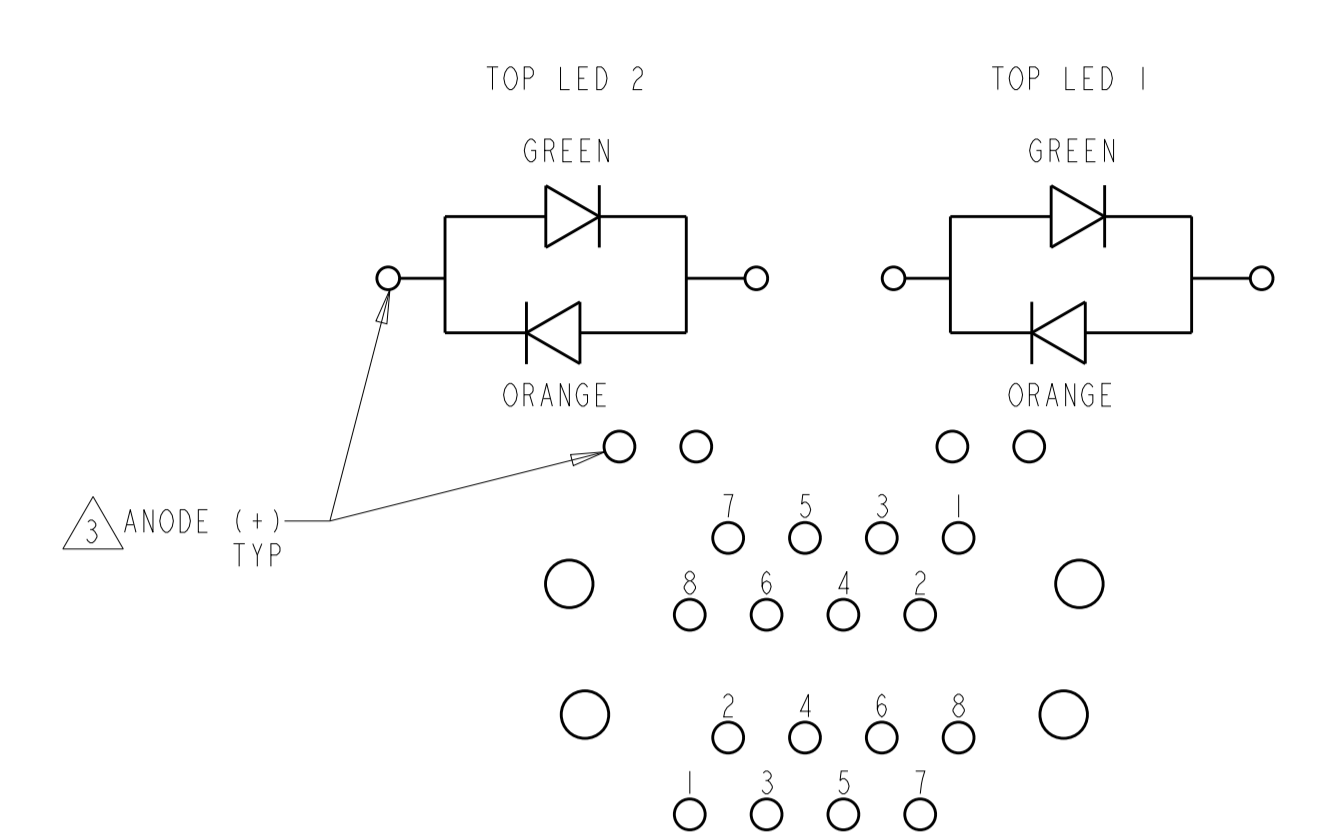
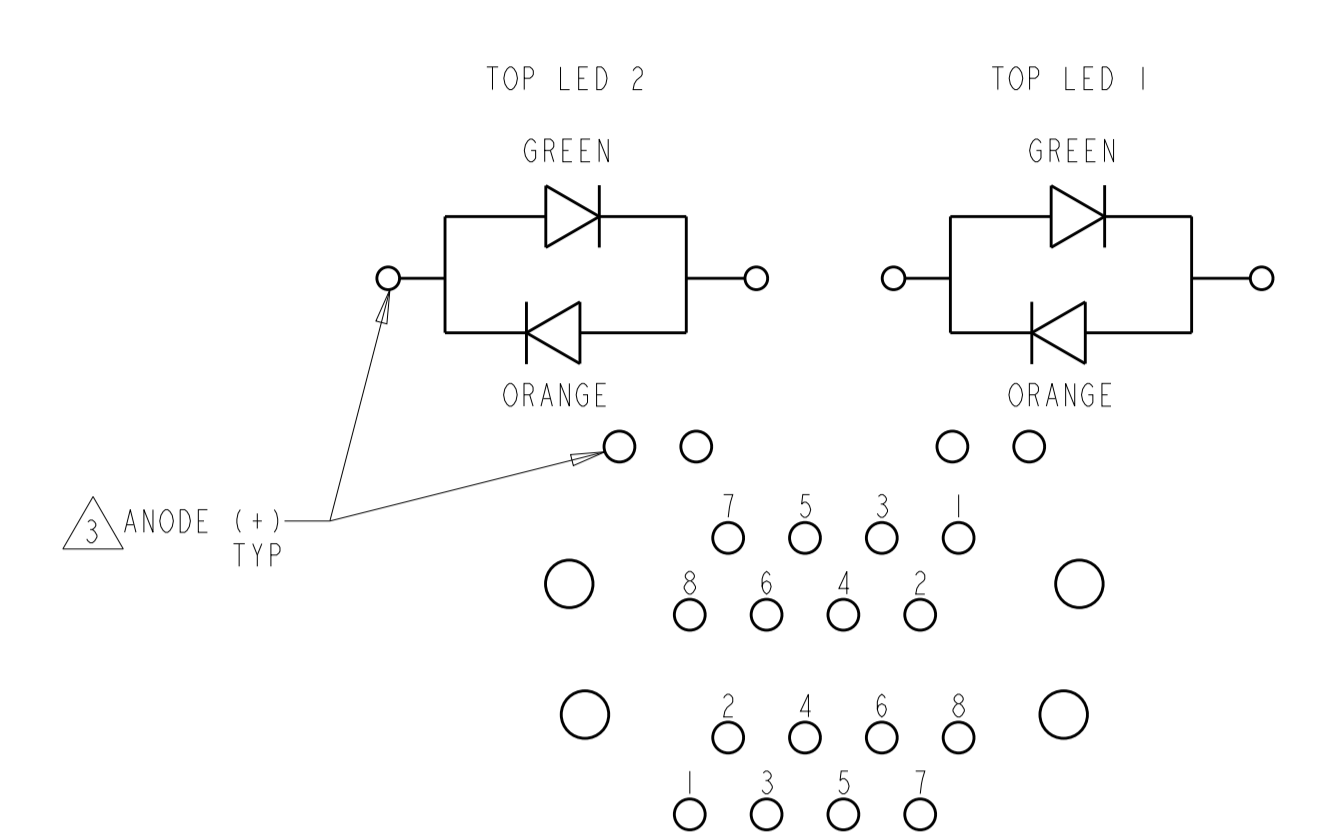
SCHEMATIC FOR 2-6368011-1  
SCALE 4:1



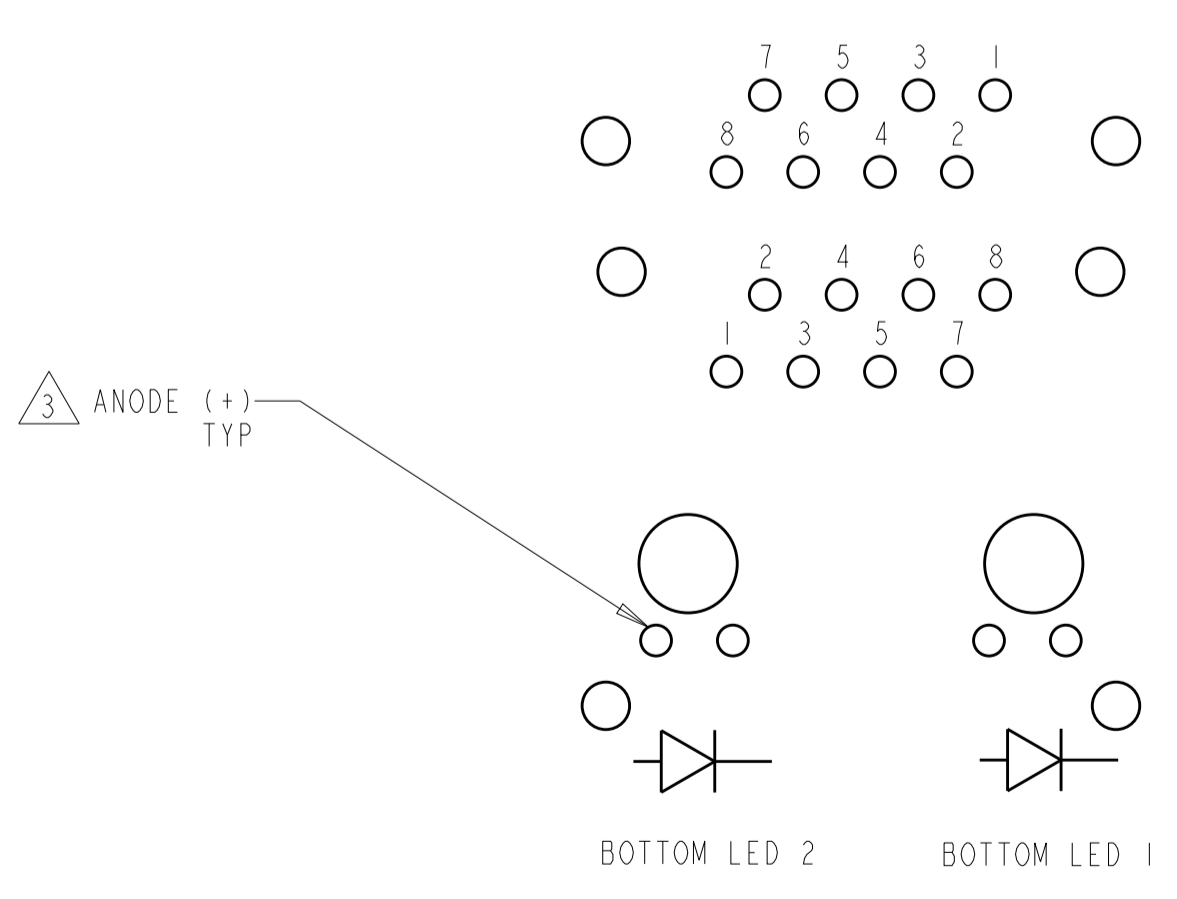
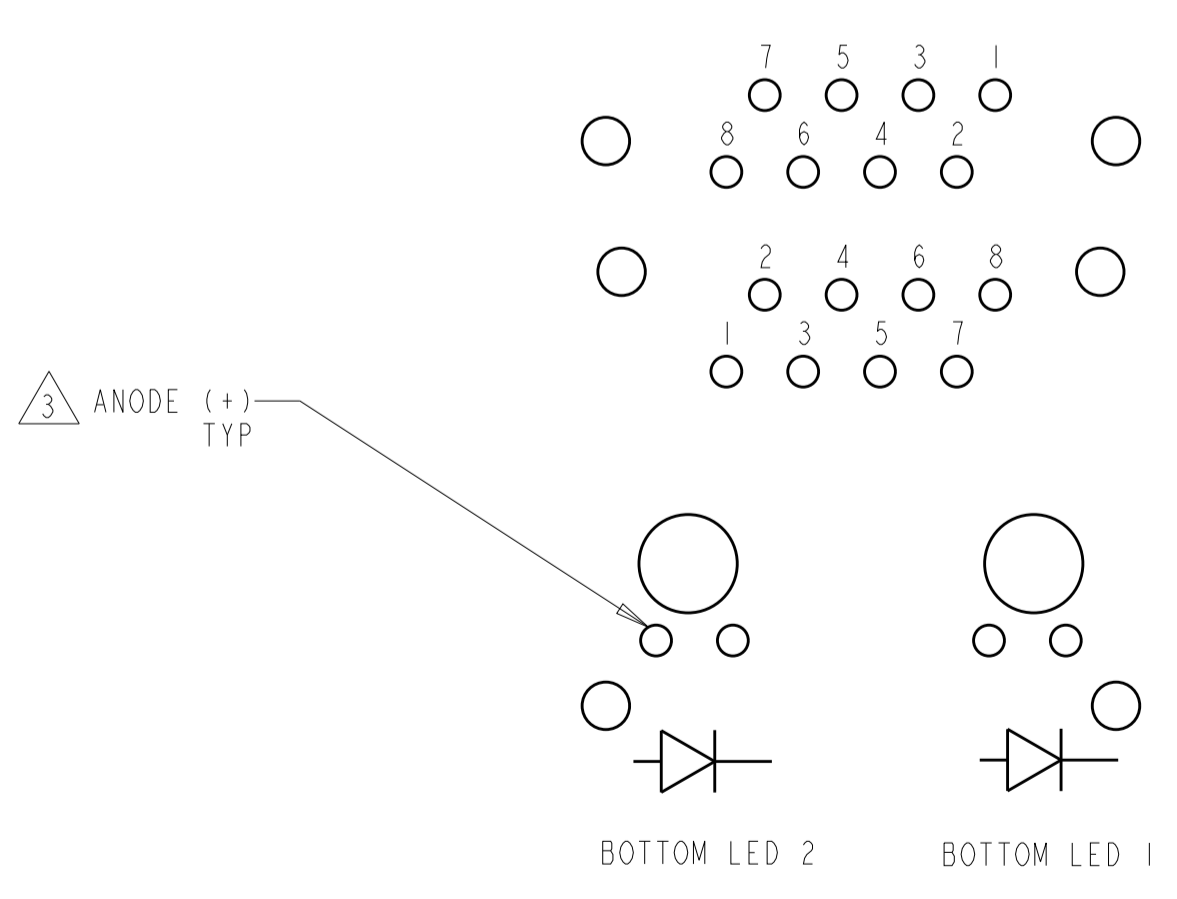
SCHEMATIC FOR 1-6368011-1  
SCALE 4:1



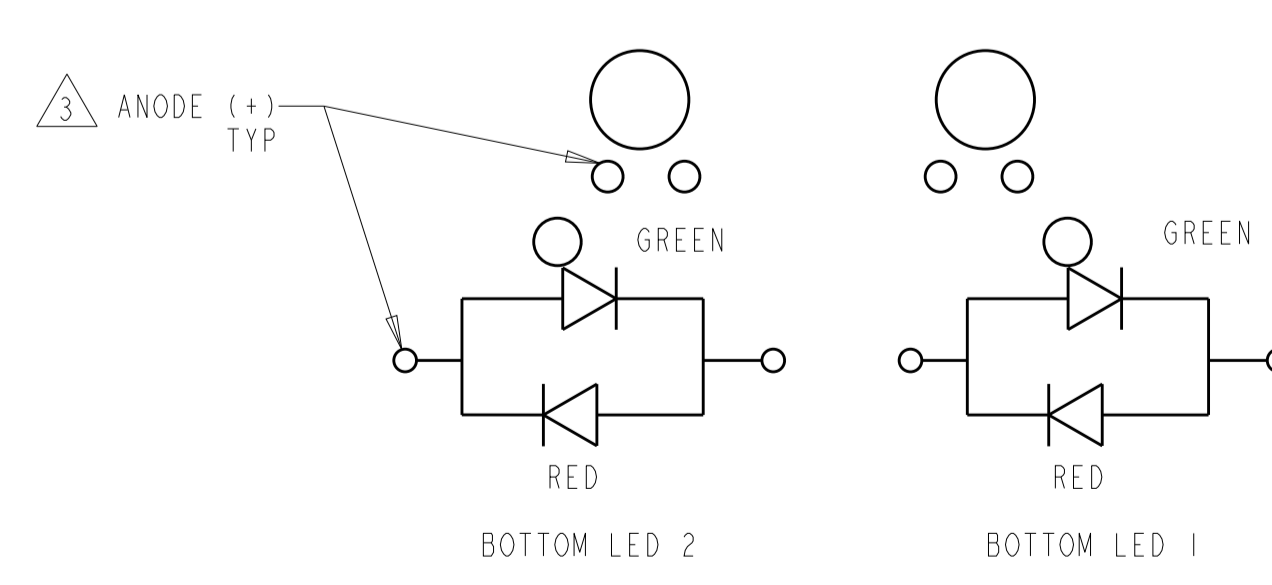
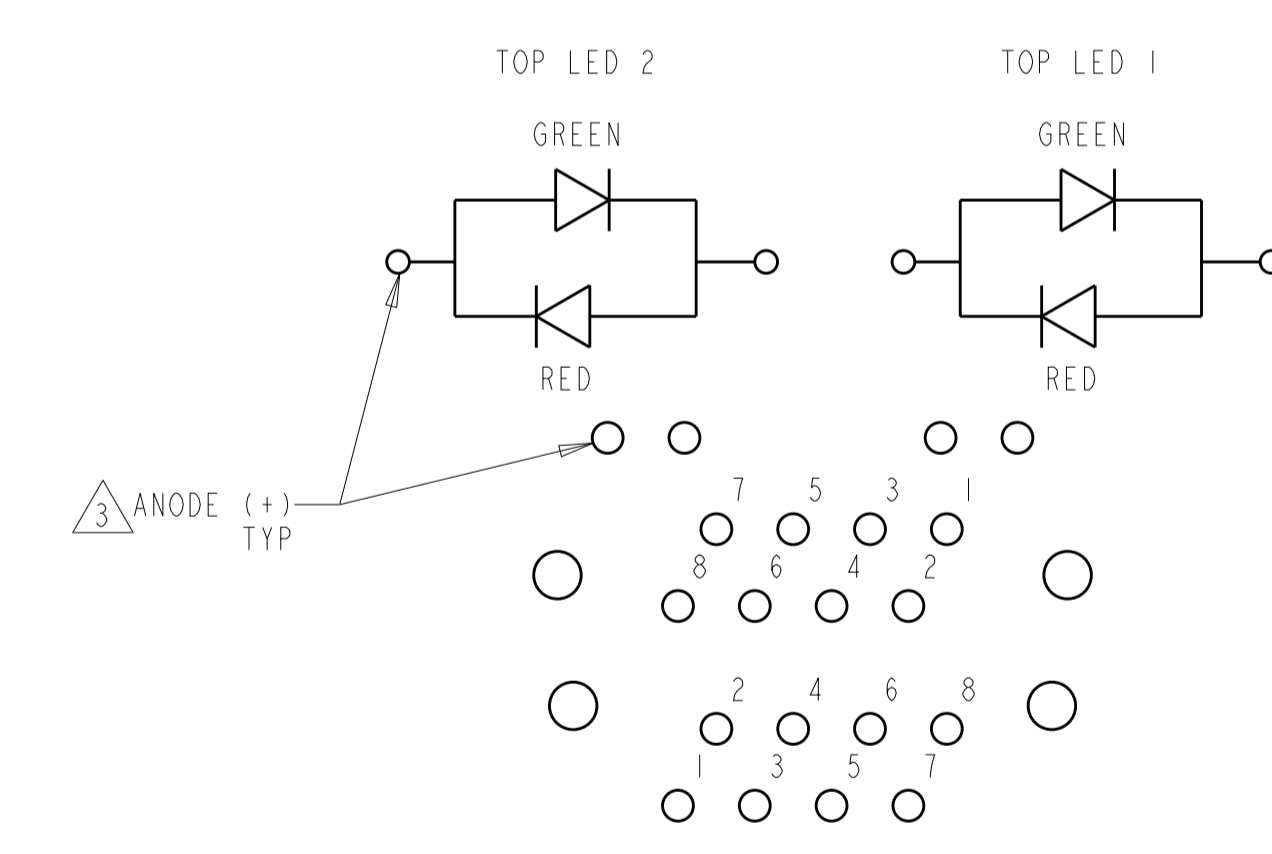
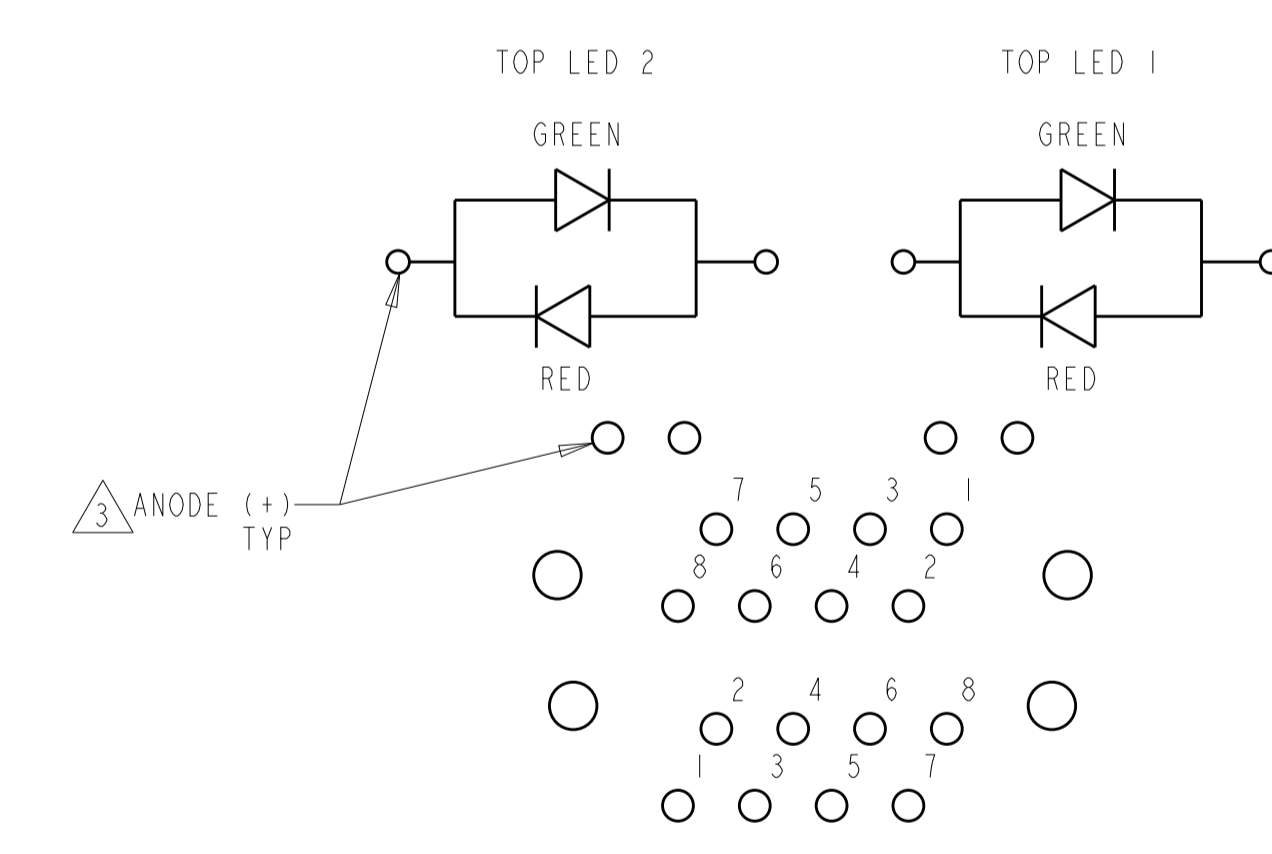
SCHEMATIC FOR 1-6368011-0  
SCALE 4:1



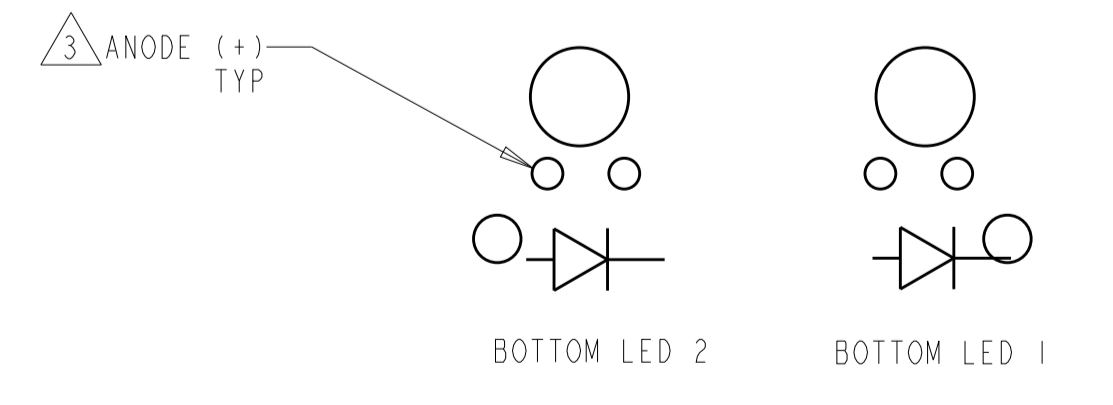
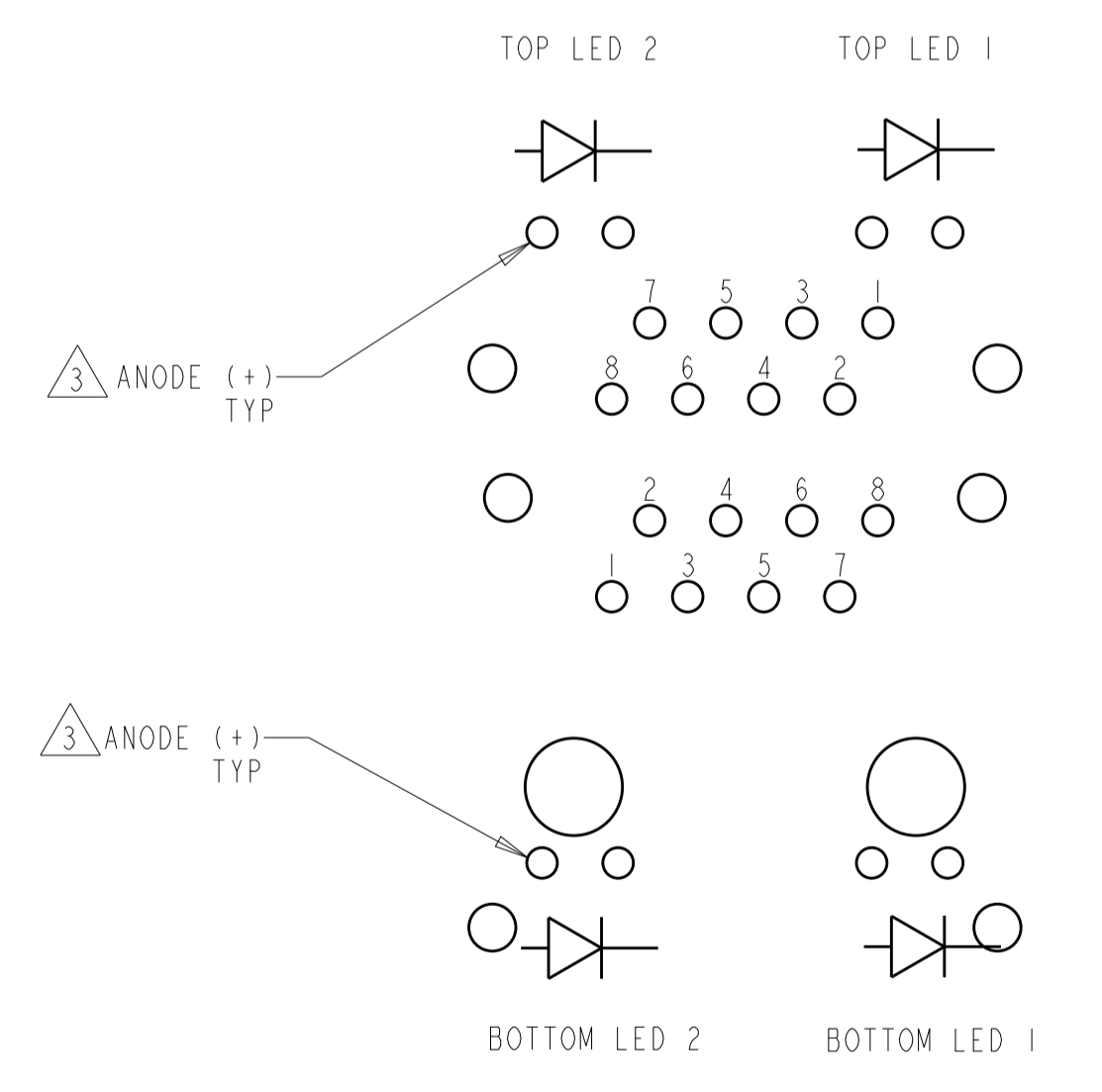
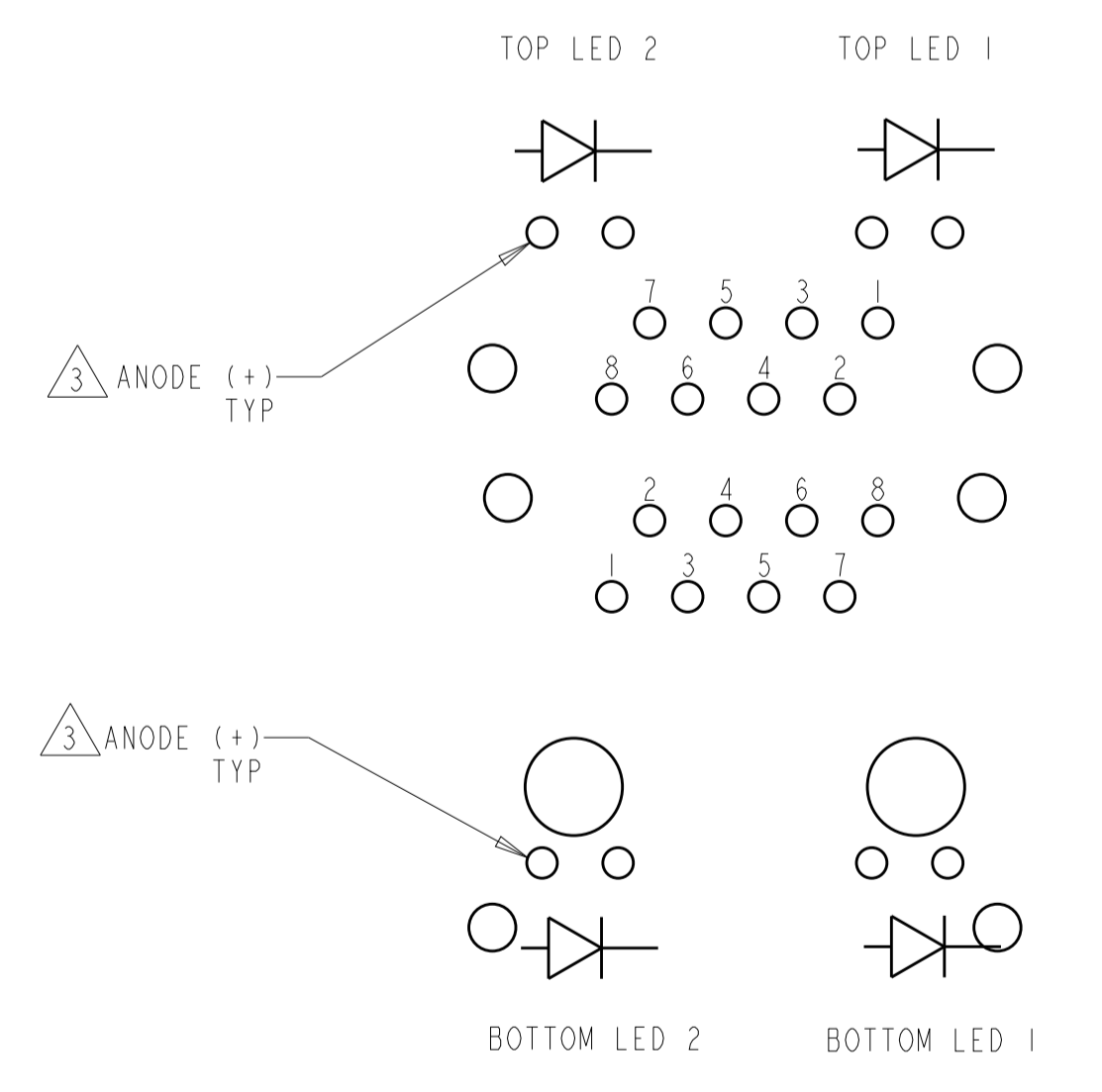
SCHEMATIC FOR 6368011-4  
SCALE 4:1



SCHEMATIC FOR 6368011-7,  
1-6368011-2, 1-6368011-3



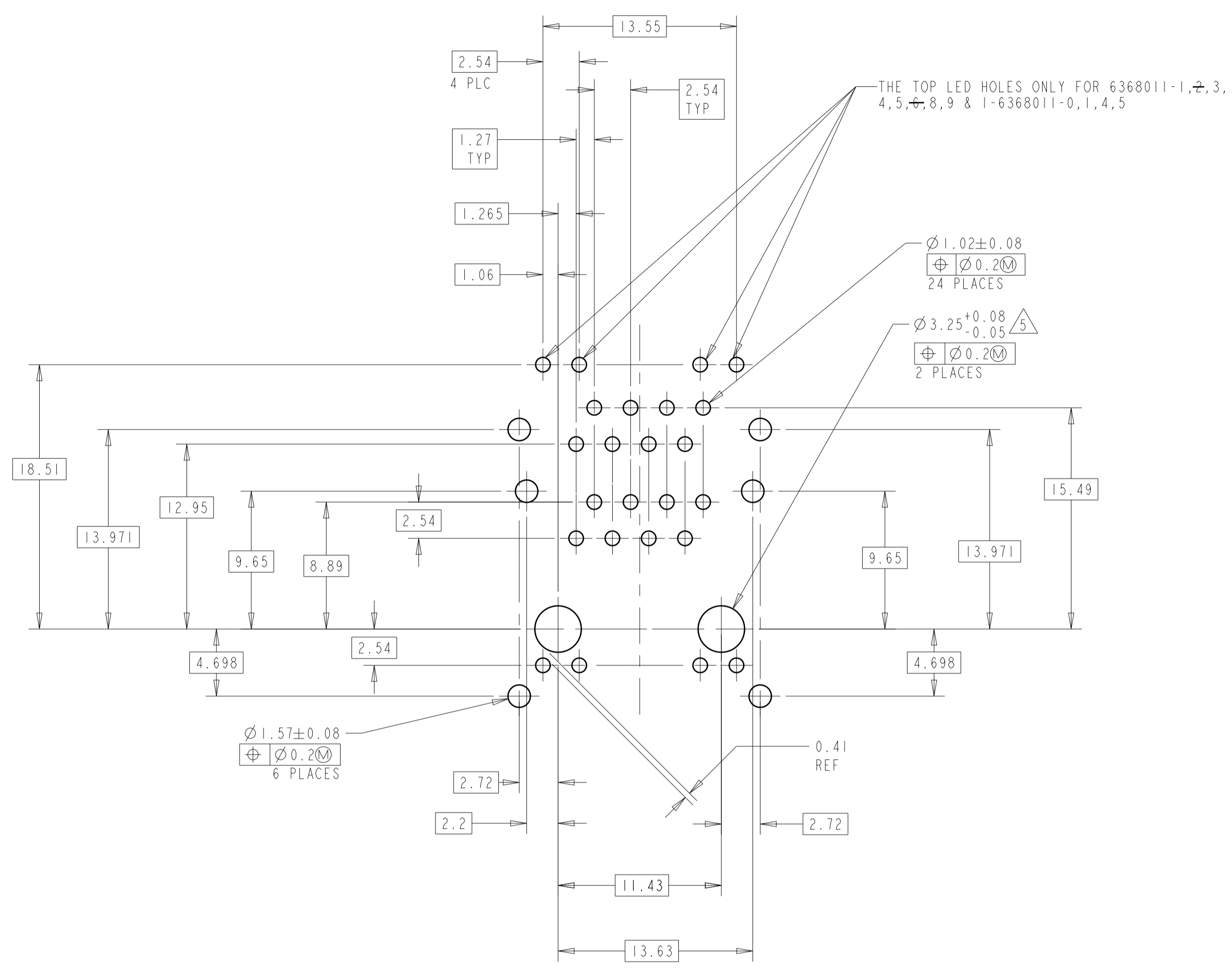
SCHEMATIC FOR 6368011-9  
SCALE 4:1



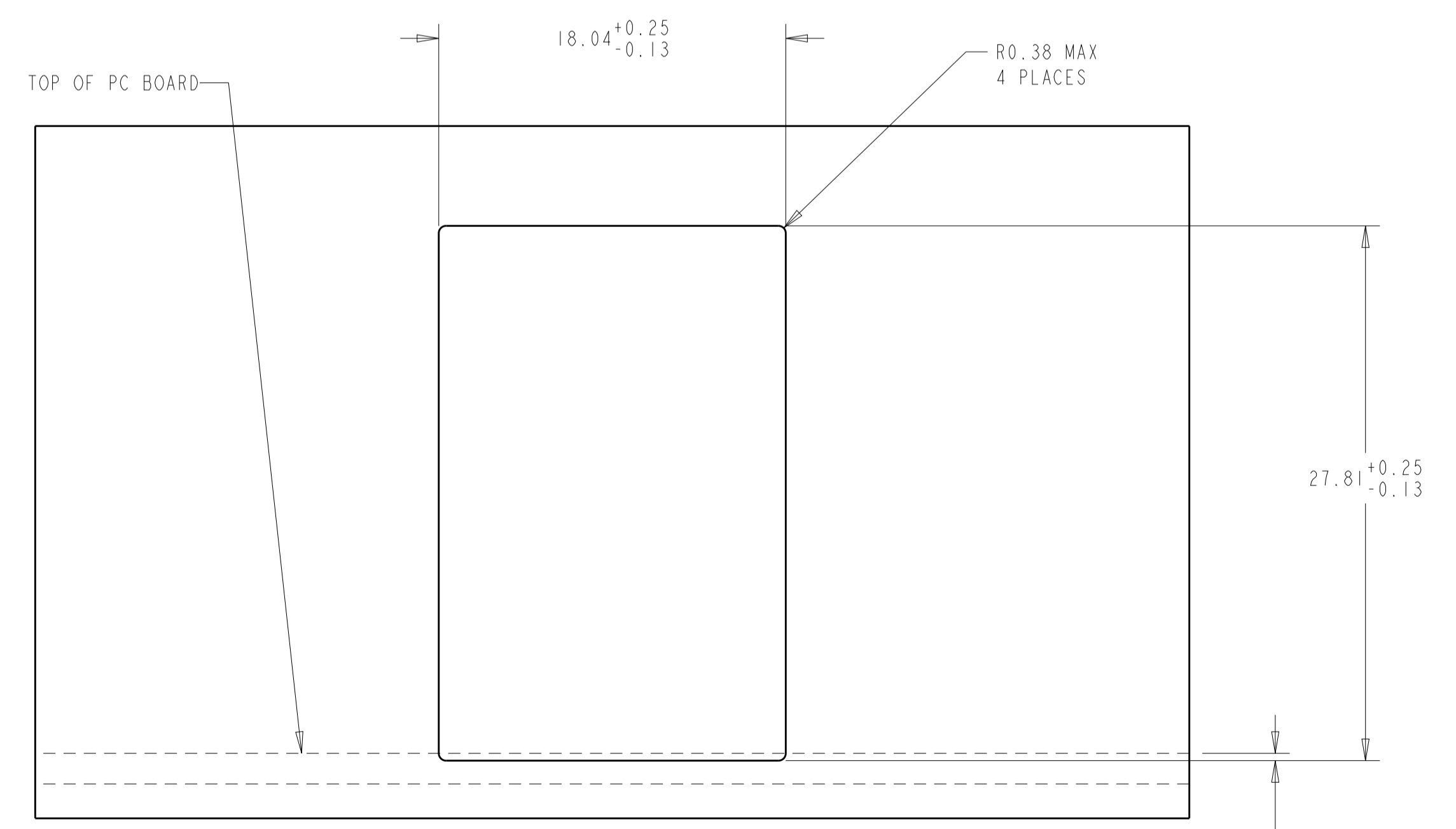
SCHEMATIC FOR 6368011-1, -2, -3, -5, -6, -8, 14  
SCALE 4:1

THIS DRAWING IS A CONTROLLED DOCUMENT.		DWN: 13APR2005 CHK: Vic Slack/J. A. MATYB J. WESTMAN 13APR2005		TE Connectivity NAME: MODULAR JACK ASSEMBLY, STACKED, 2 X 1, 8 POSITION, SHIELDED,	
DIMENSIONS:		TOLERANCES UNLESS OTHERWISE SPECIFIED:			
mm		0 PLC ± 2 PLC ±0.25 3 PLC ±0.25 4 PLC ± ANGLES ±		SIZE: A1 CAGE CODE: 00779 DRAWING NO: 6368011	
MATERIAL: SEE NOTE 1		FINISH: -		WEIGHT: -	
		Customer Drawing		SCALE: 4:1 SHEET 2 OF 3 REV L	

REVISIONS				
P.	LTN.	DESCRIPTION	DATE	APVD.
-	-	SEE SHEET 1	-	-



PC BOARD LAYOUT VIEWED FROM COMPONENT SIDE OF BOARD  
 SCALE 4:1



SUGGESTED PANEL CUTOUT DIMENSIONS  
 SCALE 4:1

THIS DRAWING IS A CONTROLLED DOCUMENT.		DWN: 13APR2005 Vic Slack/J. A. MATYB	TE Connectivity
DIMENSIONS: mm		CHK: 13APR2005 J. WESTMAN	
TOLERANCES UNLESS OTHERWISE SPECIFIED:		APVD: 13APR2005 S. FLICKINGER	NAME: MODULAR JACK ASSEMBLY, STACKED, 2 X 1, 8 POSITION, SHIELDED,
0 PLC ±	1 PLC ±	PRODUCT SPEC	SIZE: A1
2 PLC ±0.25	3 PLC ±0.25	APPLICATION SPEC	CAGE CODE: 00779
4 PLC ±	ANGLES ±	FINISH	DRAWING NO: 6368011
MATERIAL: SEE NOTE 1	WEIGHT: -	Customer Drawing	RESTRICTED TO: -
SCALE: 4:1			SHEET: 3 OF 3